



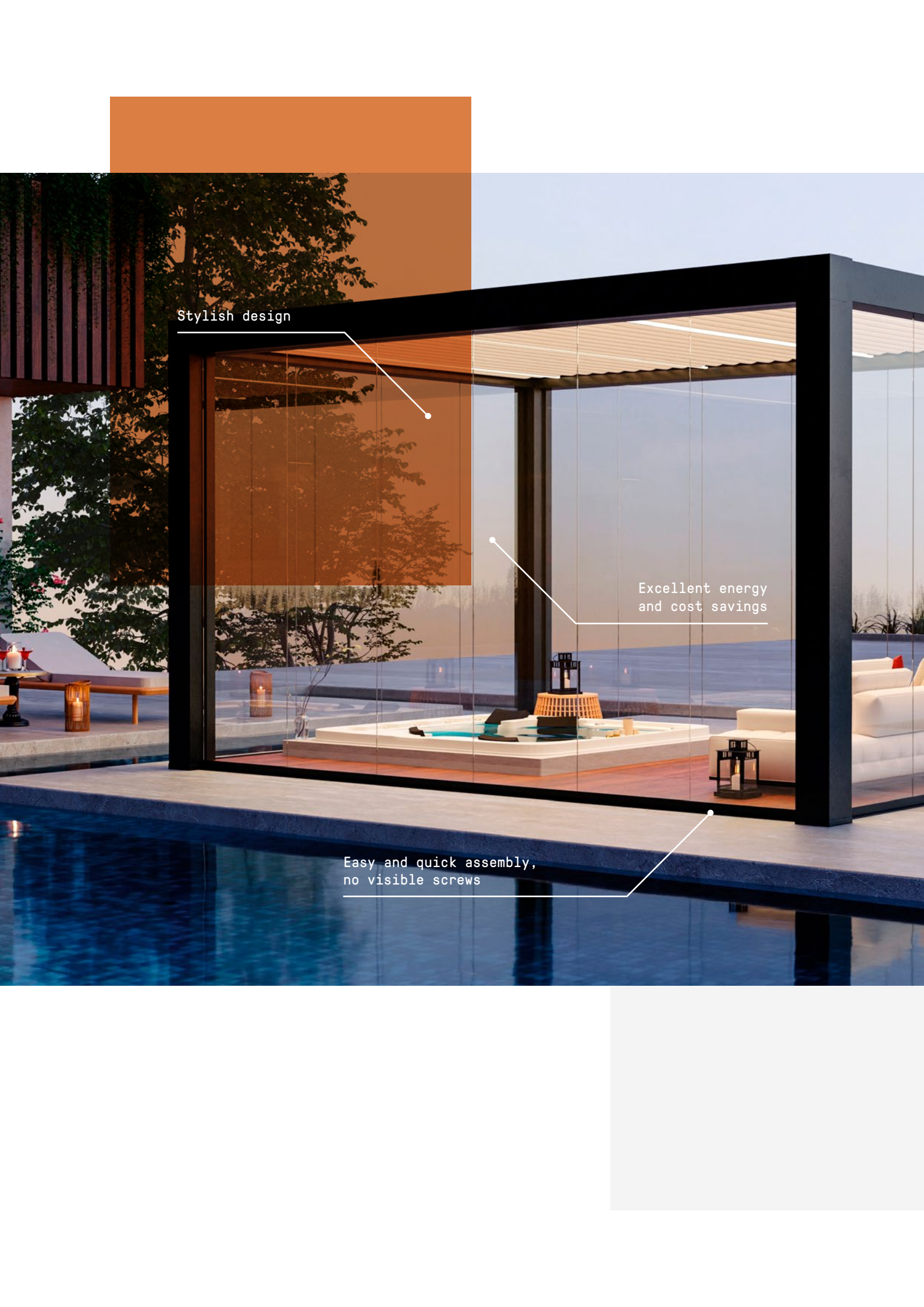
Bioclimatic Pergola

TECHNICAL CATALOGUE



Index

WHY CHOOSING A BIOCLIMATIC PERGOLA?	3
COMPONENTS	7
Profiles	8
Slats	10
Water Collection	12
INSTALLATION	15
ACCESORIES	18
LED Lighting	19
Bluetooth Sound	19
Infrared Heating	19
CUSTOMISATION	20
MAINTENANCE	22
WARRANTY	23



Stylish design

Excellent energy
and cost savings

Easy and quick assembly,
no visible screws



Customisable

Why choosing a bioclimatic pergola?

The bioclimatic pergola is an aluminium structure that offers intelligent protection against rain, wind, snow or solar radiation by tilting its slats. Control your environment with a click!

The Delfin Bioclimatic Pergola® is the perfect solution to extend the season of enjoy of your garden, either during the heat of summer or the cold of winter. Designed to regulate temperature, solar radiation and airflow, they will make you feel at home safe from inclement weather. If you wish more comfort, it is possible to add glass doors, darkening panels or rollers, mosquito nets, infrared heating or sound via Bluetooth. In addition, they are equipped with a drainage system for rainwater.

Our pergolas are designed to suit your needs: choose from a wide range of configurations, sizes, shapes and styles that will make your space unique.

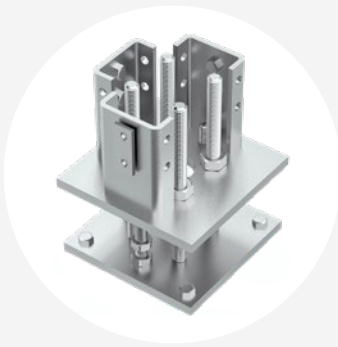
Main benefits

- Different mounting configurations
- Drainage of rainwater
- Breathable and waterproof roof
- Motorized activation
- Optional LED lights
- High resistance to inclement weather
- Easy and safe assembly

Create a cozy and comfortable space regardless of weather conditions, being able to enjoy the outside at any time of the year.

A space customized to your liking, with multiple functions, aesthetic to decorate the most diverse spaces, all to improve your well-being.





Height adjustment of the legs from 100 to 200 mm (from 100mm it is made on request).



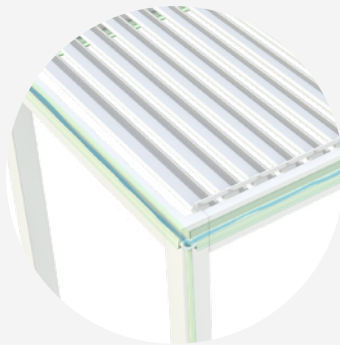
Base with register cover for easy assembly, regulations and wiring.



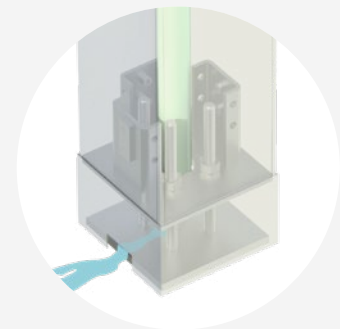
Decorative cover at the bottom of the base for both direct or piped water outlet with pipe.



Corner pieces for easy assembly and to be always squared.



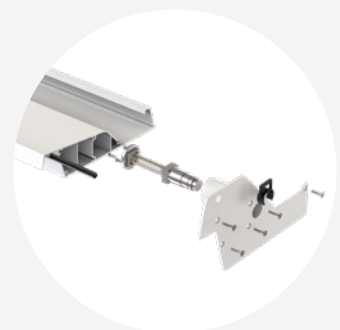
Two possibilities of channel measurements for the start and end of the slats installation, which allows to adapt to the different possible measures of the system.



Channelling by base or inner tube of poles for the rainwater collection.



Sealing with gaskets on the slats caps so you do not have to silicate, saving assembly time and better finishing.



Slats rotation with stainless steel bearings.

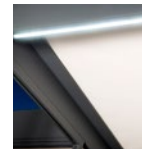
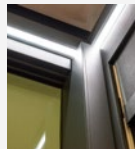


Main structure consisting of 6063 alloy aluminium profiles and T5 hardness, lacquered or anodized according to Qualicoat and Qualanod specifications and 3.04 stainless steel components.



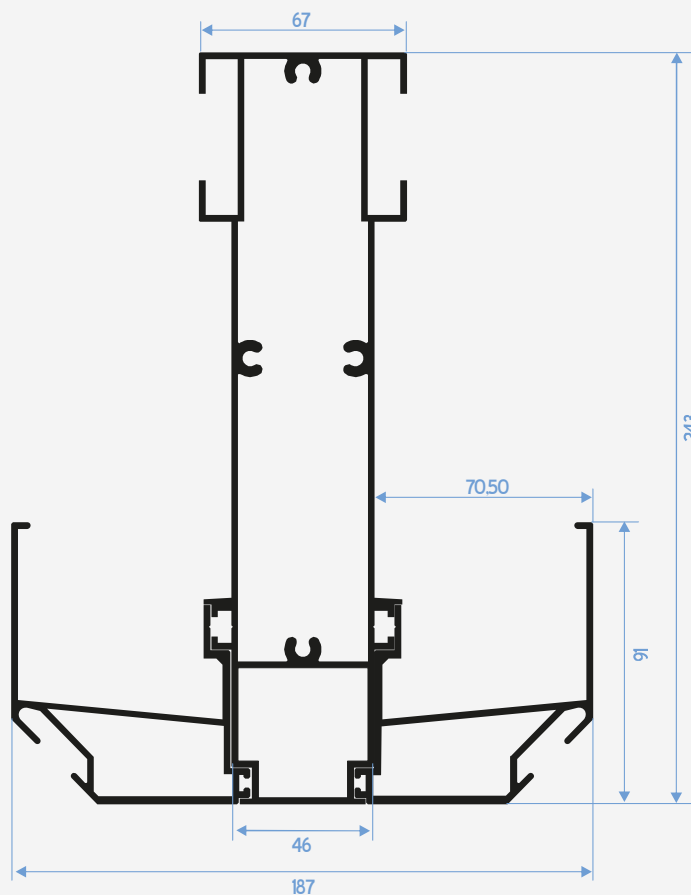


Components

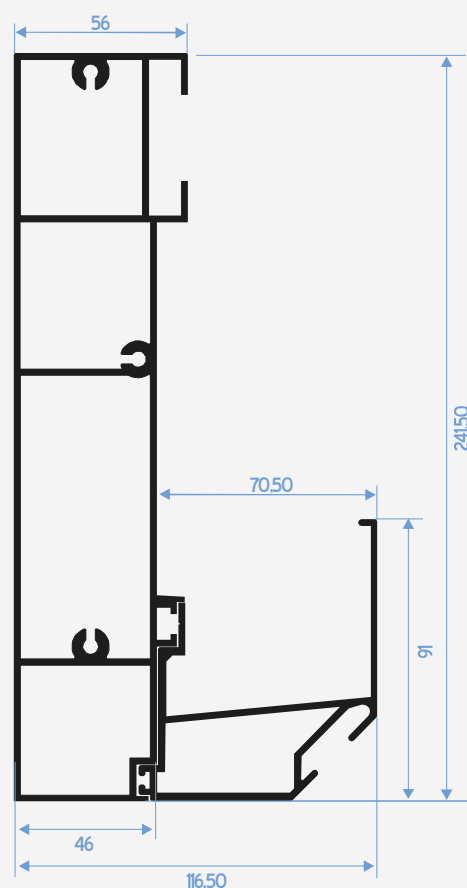


Components

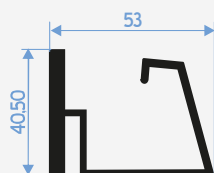
PROFILES



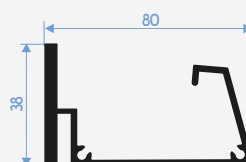
DOUBLE CROSSBAR



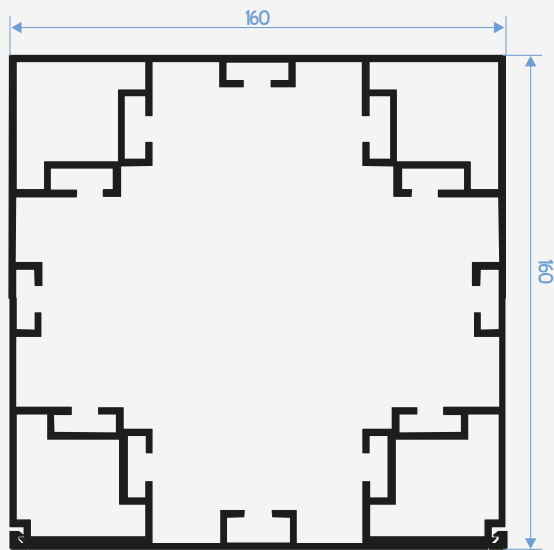
SIMPLE CROSSBAR



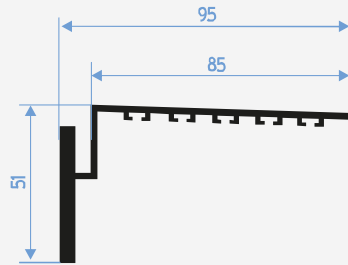
CANAL 1



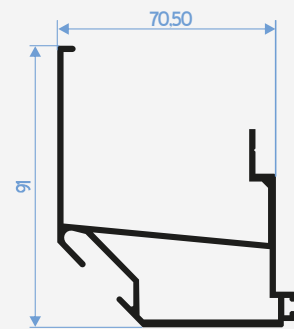
CANAL 2



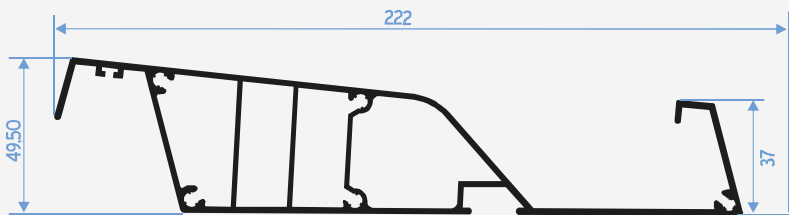
STARTING / END POST



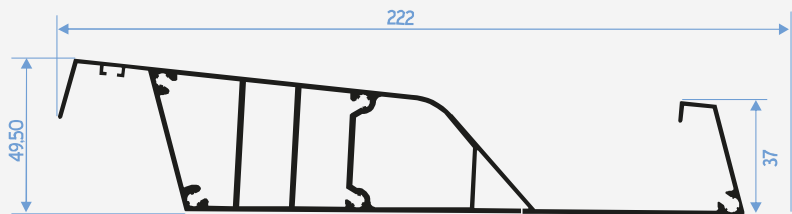
END AWNING



GUTTER



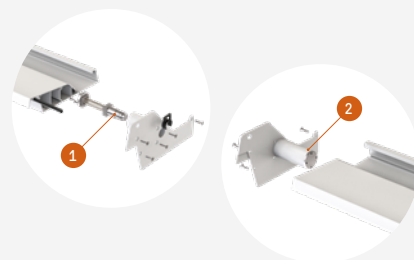
LED SLAT



SLAT

Components

SLATS



Our adjustable aluminium slats totally motorized allow a turn from 0° to 135° thanks to their stainless steel shafts¹. The sealing of the joints and slat caps prevents water from entering the inside².



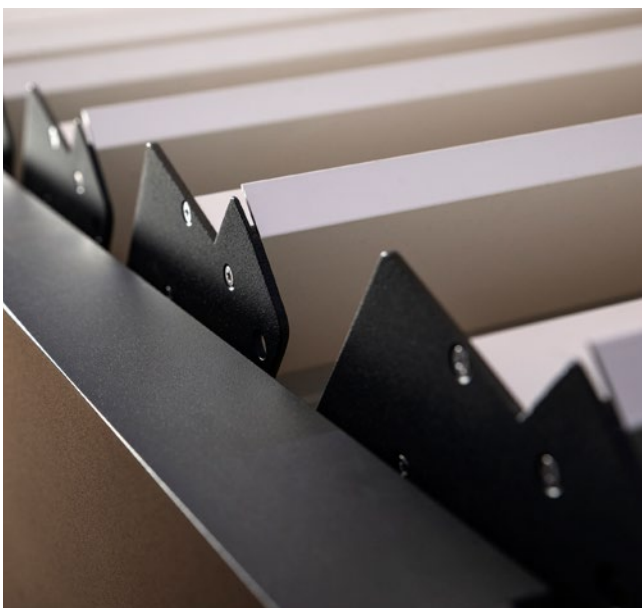
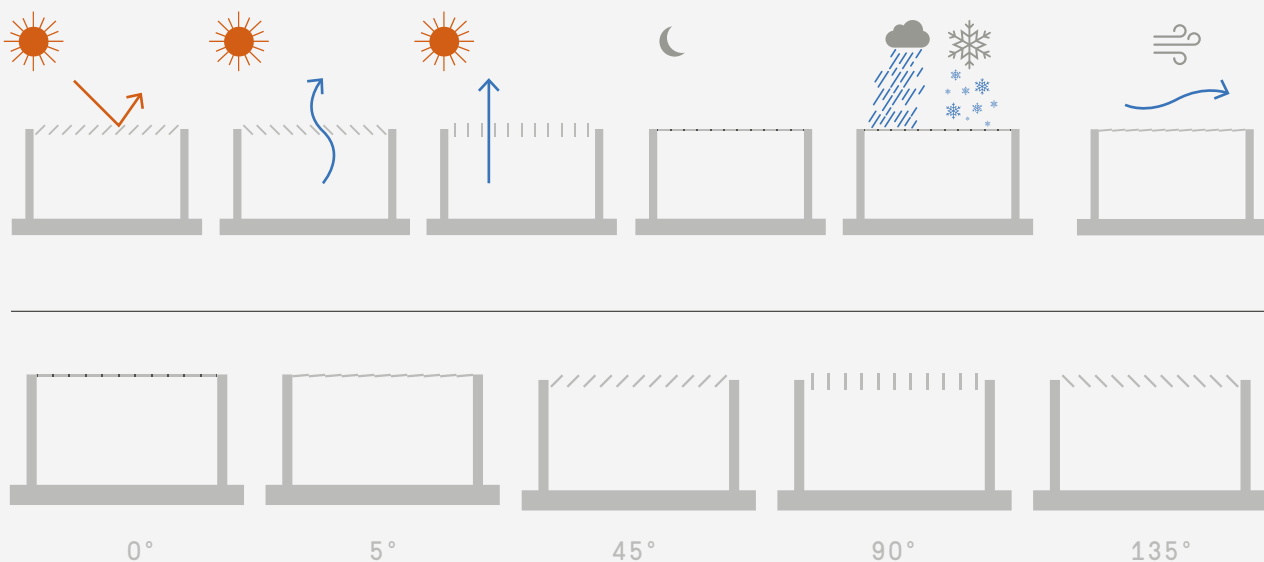
Adjusted slats measures to facilitate the drainage of rainwater and snow.



Outdoor comfort

Total control of **solar radiation** and **temperature by ventilation.**

Total protection against **rain, wind and snow.**



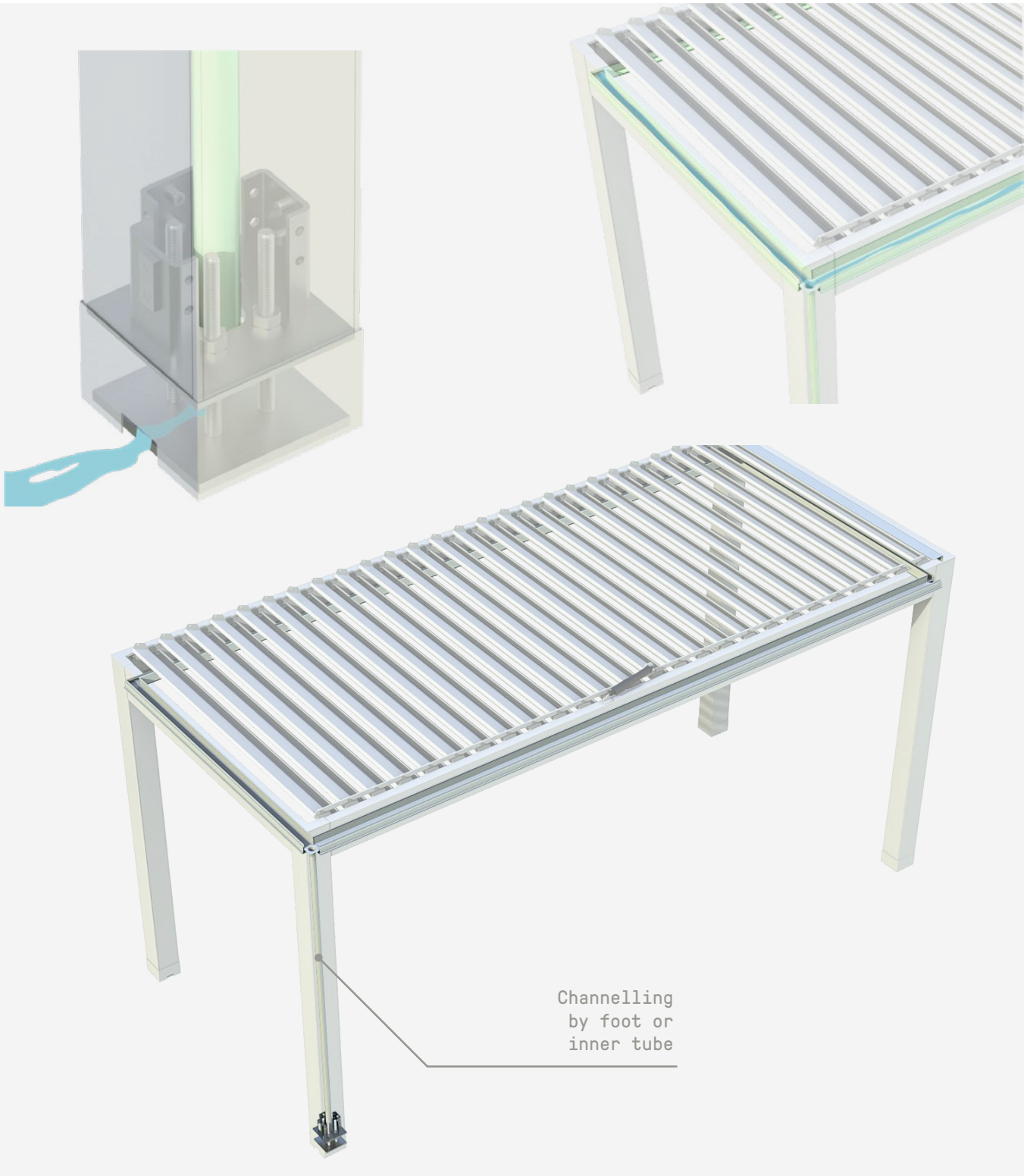
The adjustable aluminium slats provide effective protection against solar radiation and when closing the roof becomes completely waterproof. Playing with the inclination of the slats, we can create a pleasant microclimate under the pergola, even on the warmest days of summer.

Components

RAINWATER COLLECTION



The design of our slats allows the channelling of water by either of the feet of the pergola or by a tube that can be installed inside. This protects the furniture that can be placed under it.



Channelling
by foot or
inner tube





Installation

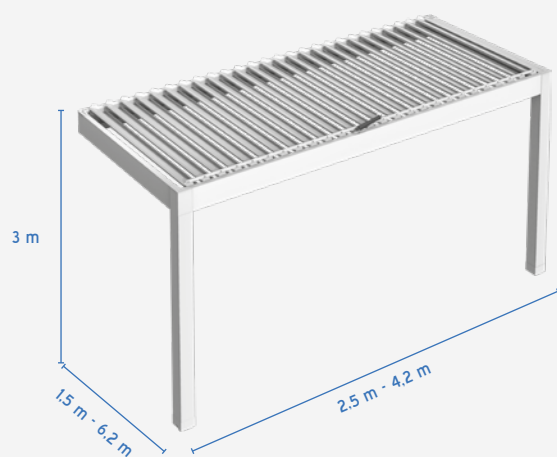
We know that no terrace is the same as another, so we have created six different types of pergola configurations so you can choose the one that best suits your space



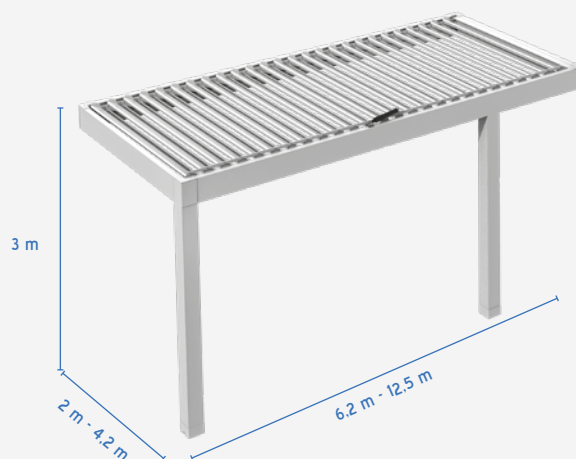
CHOOSE YOUR CONFIGURATION

We know that no terrace is the same as another, so we have created 6 different types of pergola configurations so you can choose the one that best suits your space.

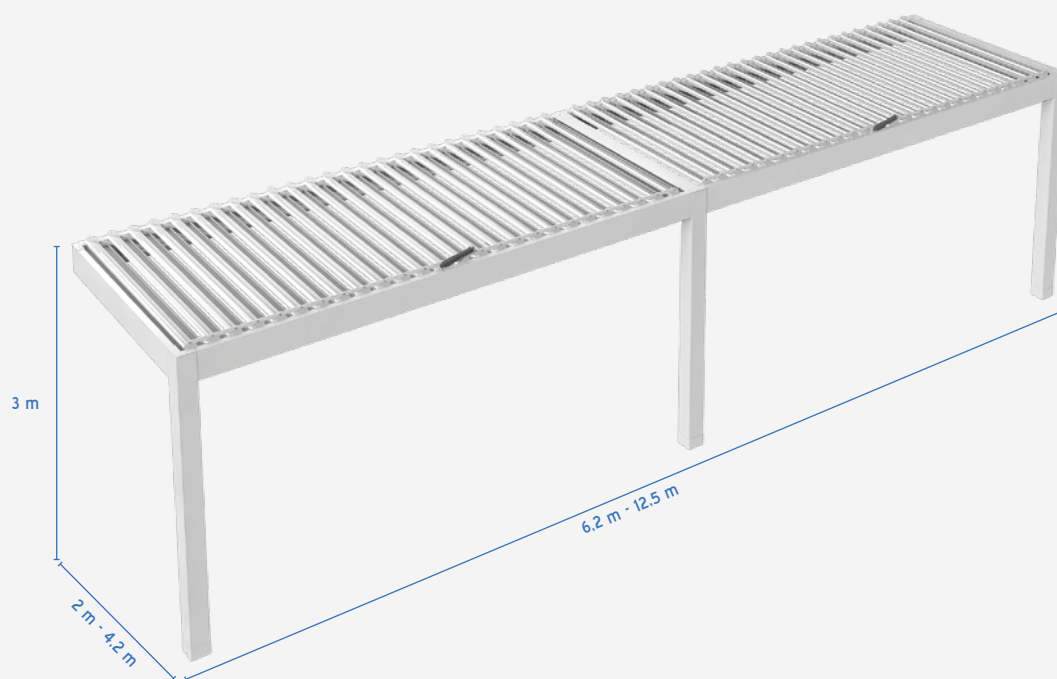
In addition, the Delfin Bioclimatic Pergola® is fully customizable according to your tastes.



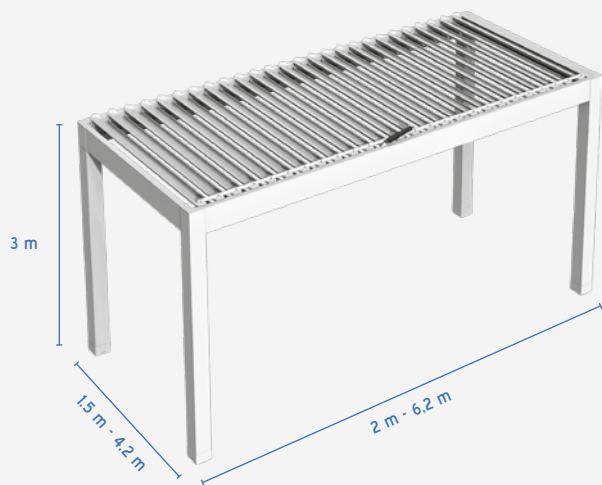
TYPE 1
2 feet wall



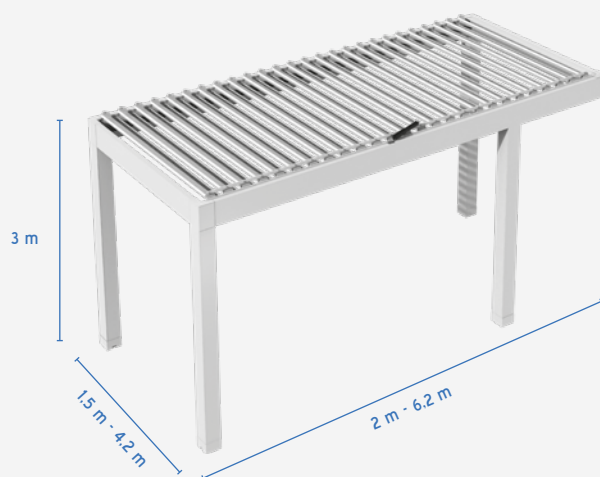
TYPE 2
2 feet corbel



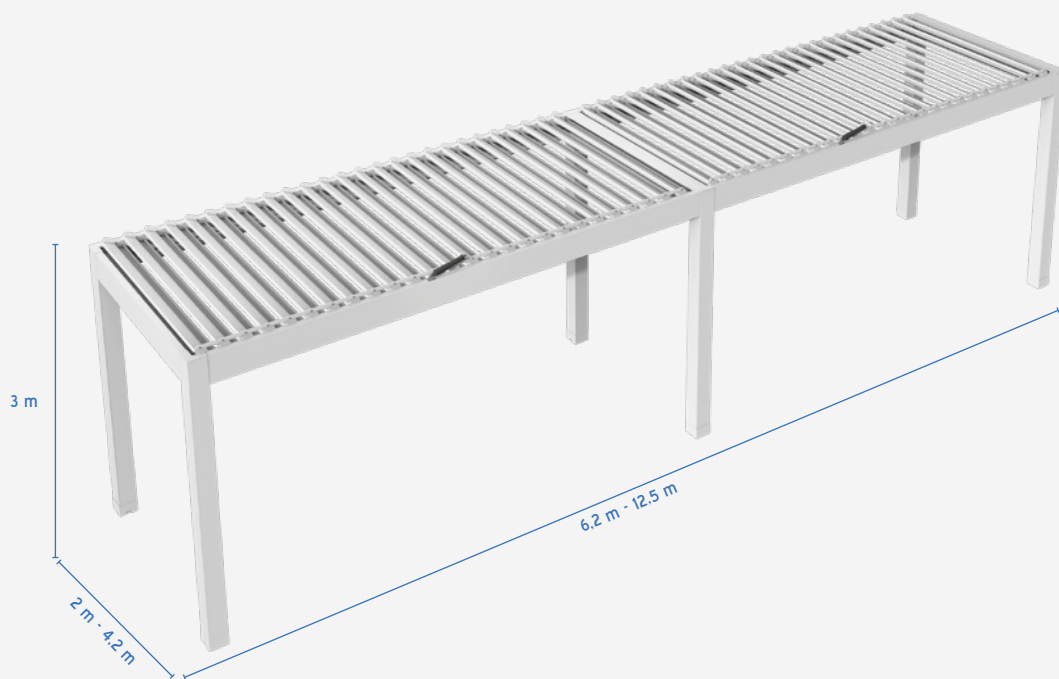
TYPE 3
3 feet wall



TYPE 4
4 feet



TYPE 5
4 feet corbel



TYPE 6
6 feet

Accessories

LIGHTING, SOUND AND HEATING



LED lighting

Sound via
Bluetooth

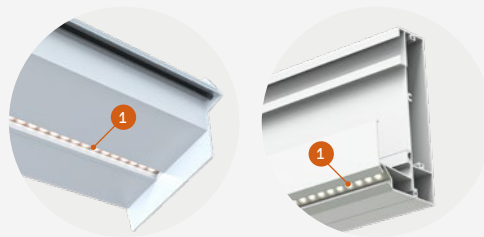
Infrared heating

Create a warm and welcoming environment



LIGHTING

Lighting integrated in the slats¹ and perimeter on the outside of the pergola, which allows to distribute and regulate the light inside.



INFRARED HEATING

Possibility of heating the interior using an infrared system.

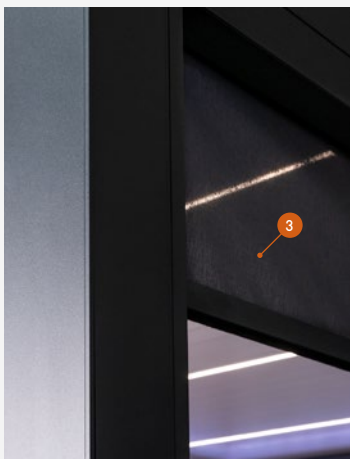
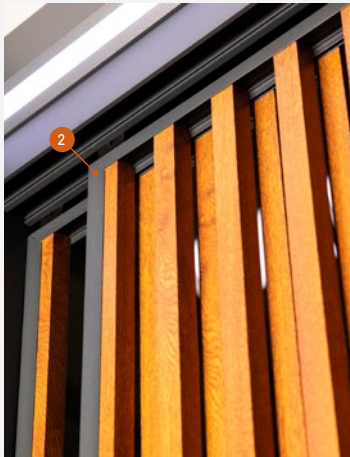
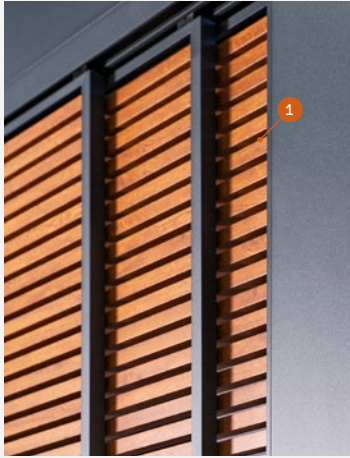
SOUND VIA BLUETOOTH

The possibility of listening music in outdoor spaces through the Bluetooth® connection will allow you to create the atmosphere you prefer.

Customisation

CONFIGURATION AND RANGE OF COLOURS





SLIDING PANEL WITH HORIZONTAL¹ OR VERTICAL SLATS².

ROLLERS³ WITH SCREEN OR MOSQUITO NET FABRIC, GUIDED WITH ZIP GUIDES, CABLE OR STANDARD GUIDES.

The side closure configurations of the Delfin Bioclimatic Pergola® offer a wide range of customisation options that will allow you to satisfy your specific needs and preferences. These customisation options include sliding panels, vertical glass enclosures or roll-up systems with screen and mosquito net. We also have a roller zip system and aluminium panels in wood or natural wood finish, both created for outdoor specially.

Choose your privacy level and transform your space into a unique area.



RANGE OF COLOURS

Add personality to your garden by choosing your favourite RAL colour: we offer you the possibility to choose from any colour in the range to ensure that you always find the perfect combination. Do you need more options? In addition to RAL colours, we have matt lacquer, textured colours, wood imitation or anodized finishes.

Let your creativity run wild!

Maintenance

CARE AND CLEANING



Aluminium is an easy to maintain material and very resistant to inclement weather. Therefore, you can have your pergola always as the first day with simple periodic care:


- Clean the structure and slats of your pergola at least 2 times a year. If your home is in a coastal area, you can increase the frequency up to 4 times.
- Always use a soft cloth with neutral soap: the use of high-pressure washers, hard or abrasive bristle brusher, detergents and bleaches is strongly discouraged.
- At the end of spring, a simple stream of water will be enough to remove any dust, leaves or branches that have accumulated during the winter. If you find stains difficult to remove, use neutral soap or white vinegar and finally rinse with plenty of water.
- Make sure the gutters are free of dry leaves so that the drainage systems work properly.


Warranty


The Delfin Bioclimatic Pergola® consists of a structure with steerable aluminium slats driven by motor and stainless steel components 3.04. The main structure is formed by aluminium profiles of alloy 6063 of hardness T5 lacquered or anodized according to technical specifications of the quality brands Qualicoat and Qualanod. This structure is totally self-supporting and removable.

Our pergolas and their components are subjected to the most diverse quality tests to check their resistance and behaviour under all kinds of conditions.

Tests carried out according to the International Standards of resistance to wind, rain or snow load:

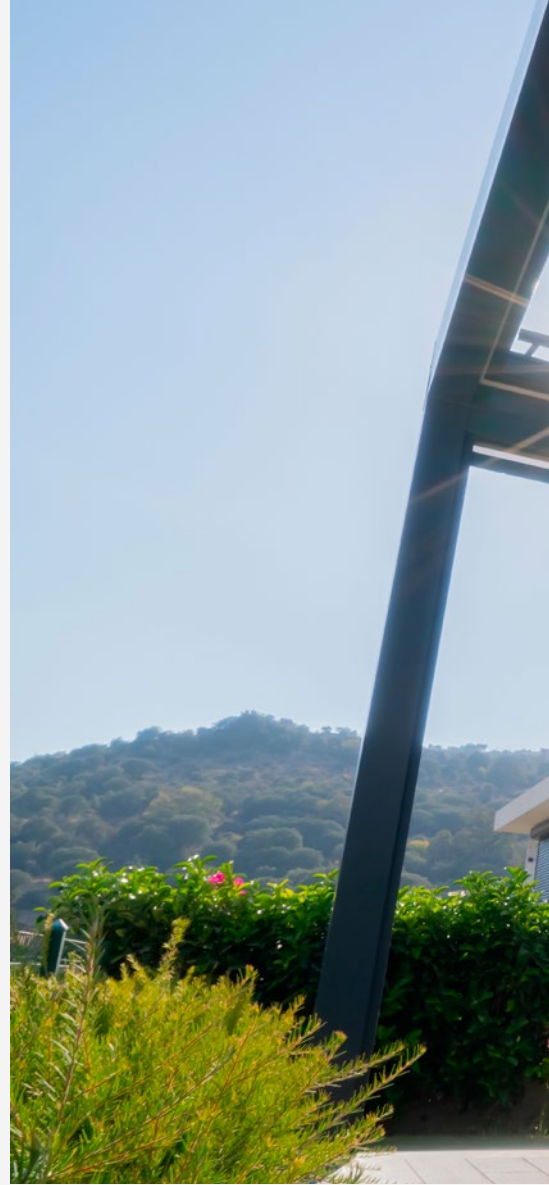
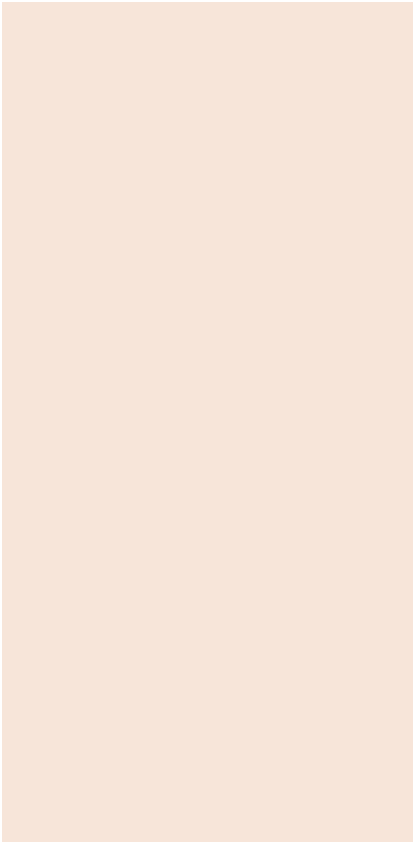
WIND LOAD		
	Standard EN 13659	CLASS 6 (APPROX. 112 km/h) Tested up to 180 km/h (depending on the mooring)

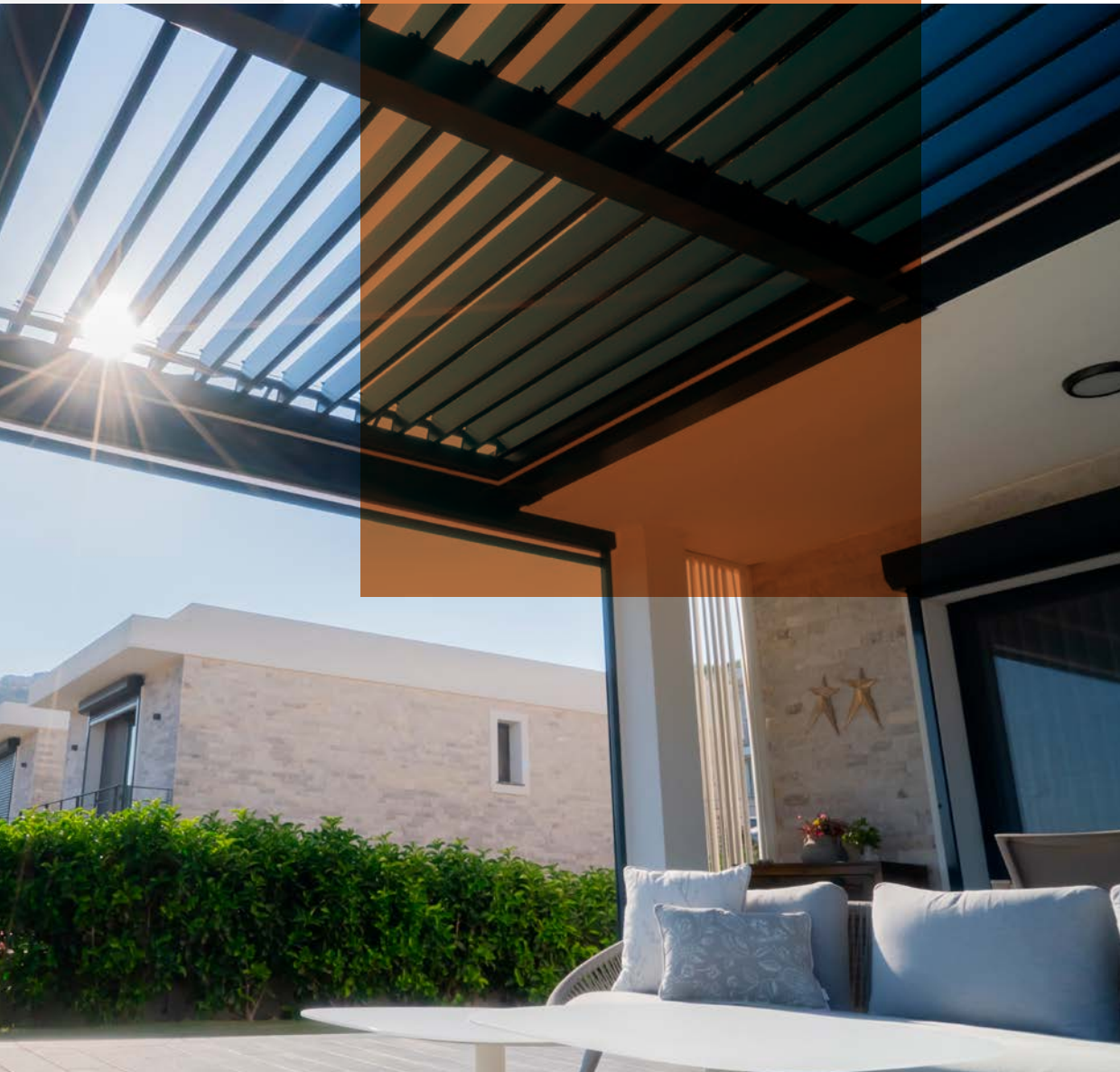
RAIN LOAD		
	Standard EN 12056-3	CLASSIFICATION: (0.03 L/s máx.) Constant rain approx. 120 L m ² /h

SNOW LOAD		
	Standard 1999 Eurocode 9 <i>Aluminium structure projects</i>	61 kg/m² (not including own weight) <i>By removing the load the pergola works perfectly.</i>

The warranty period of our pergola systems is 5 years from the date of shipment.

This guarantee would cover any system defect that is not caused by any element outside the system, such as poor installation conditions, poor maintenance of the system or incorrect handling, so please, in case of any problem, talk to our technical service before any handling.





© 2024, Sistemas Delfin. Edition 2024.02.





C/ 8 Parcela 22, Polígono San Cibrao
32901 San Cibrao das Viñas, Ourense, España

Tel. #1: **+34 988 239 316**

Tel. #2: +34 988 239 215

Fax: +34 988 230 477

delfin@sistemasdelfin.com

www.sistemasdelfin.com

