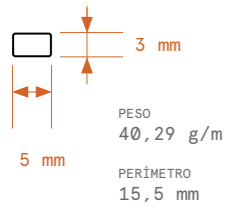
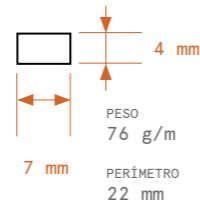


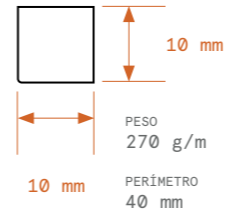
REF. 6044



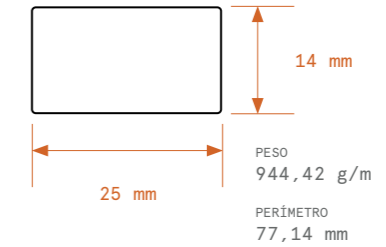
REF. 5409



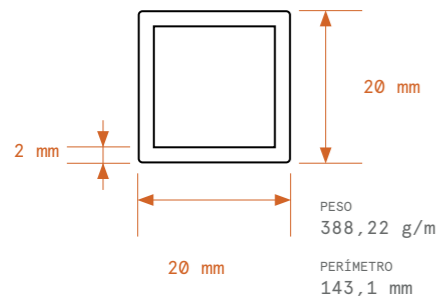
REF. 5117



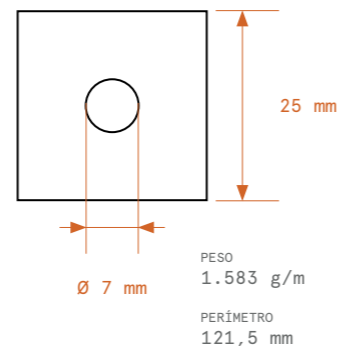
REF. 6098



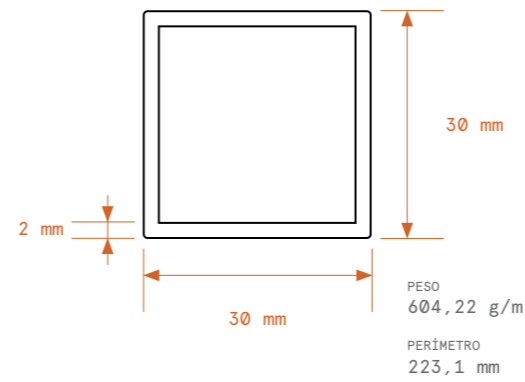
REF. P100059



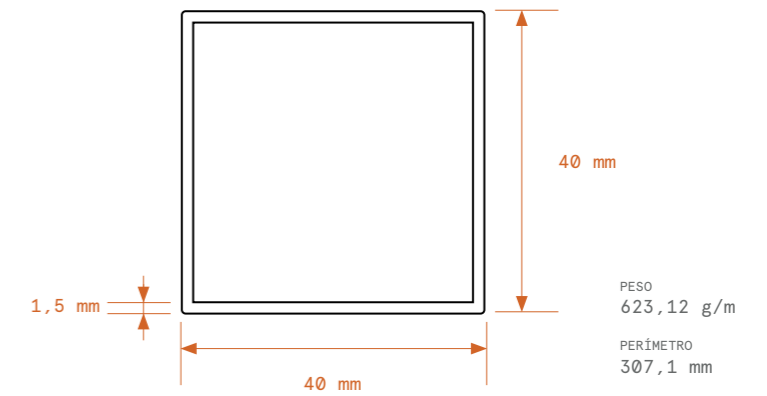
REF. 5322



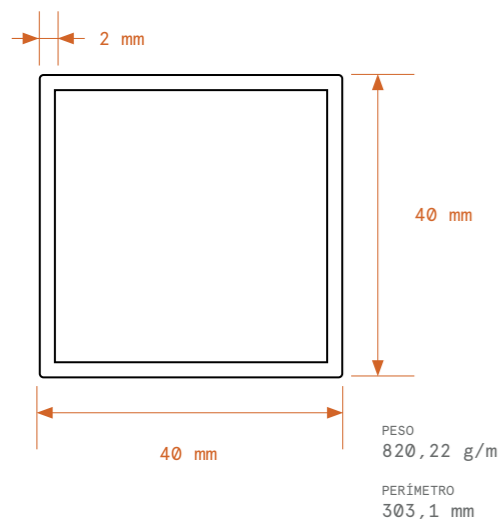
REF. P100058



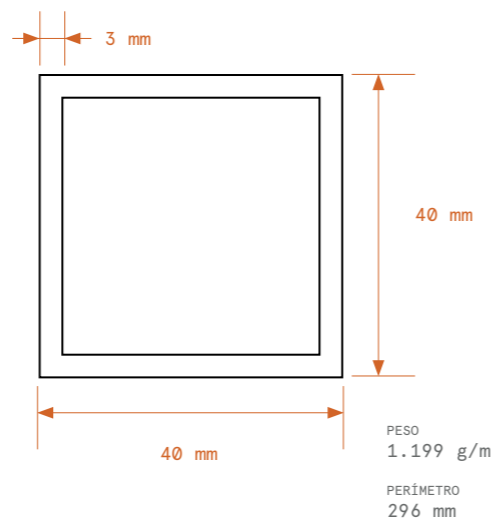
REF. P100057



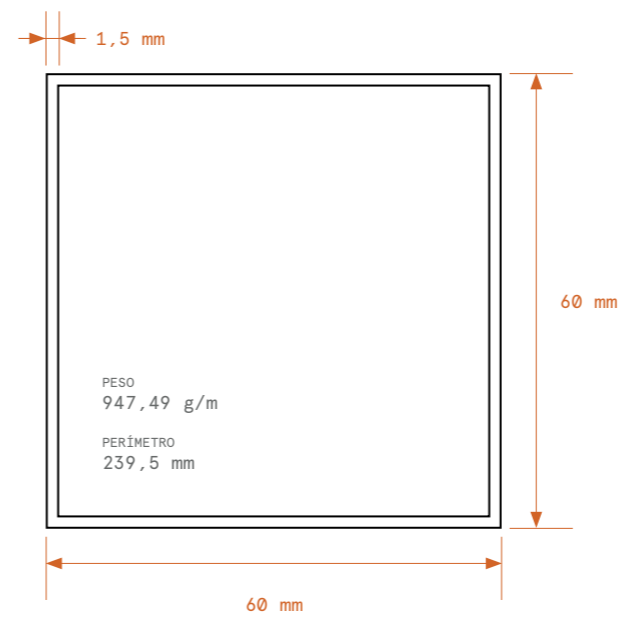
REF. P100056



REF. P100021



REF. 6131



REF. P100055

